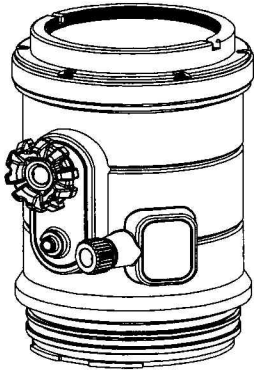
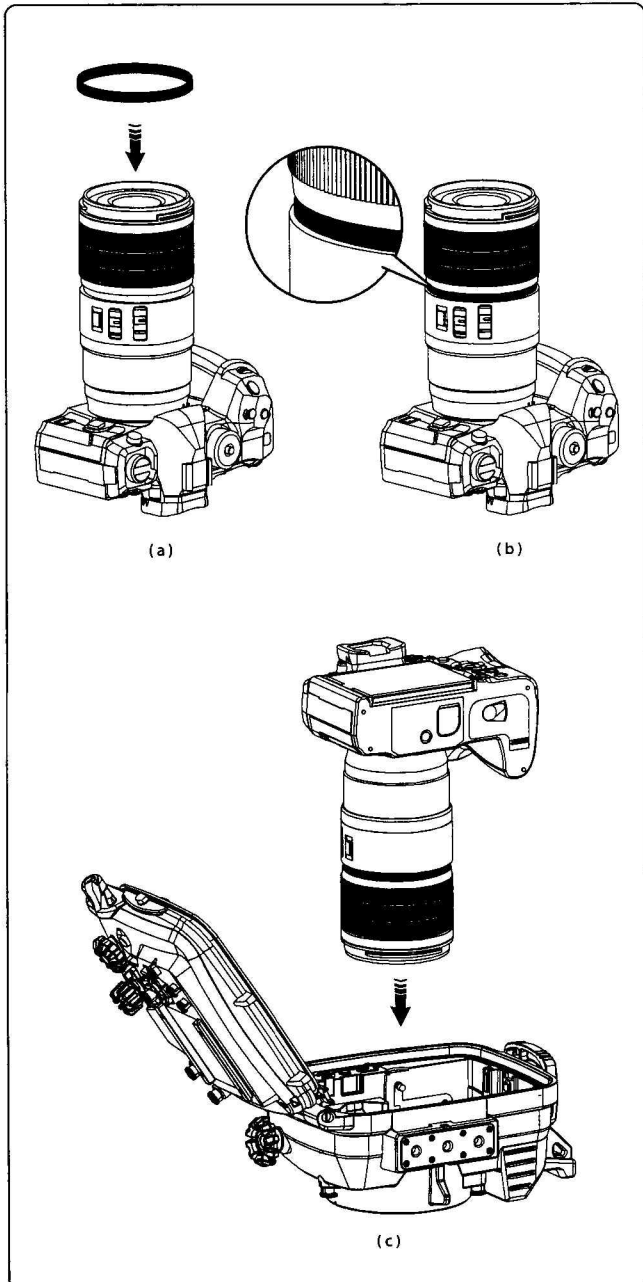




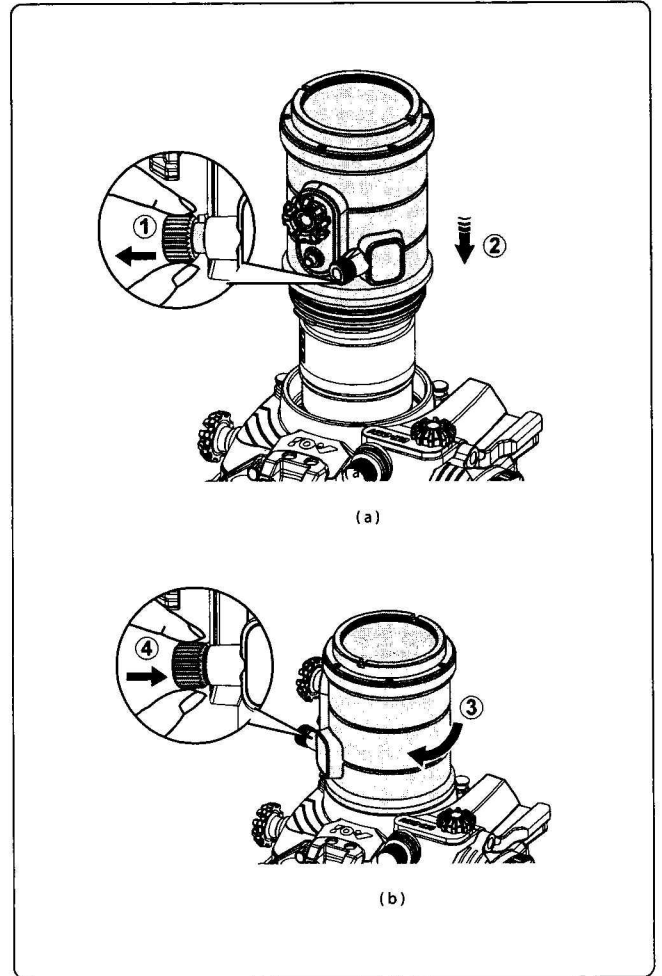
# AOI FLP-09 Flat Port with PEN Mount INSTALLATION MANUAL



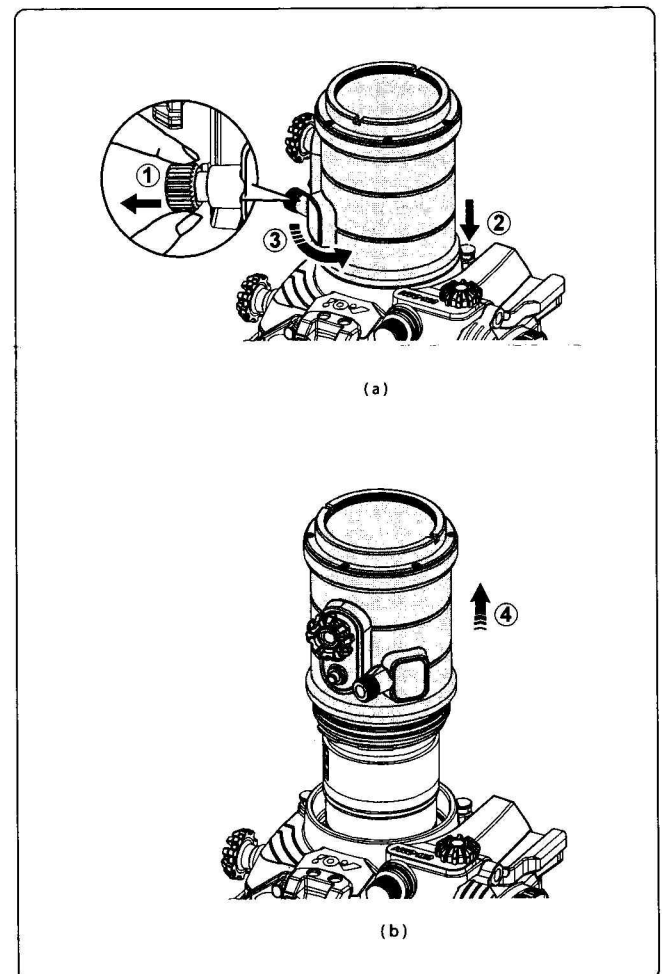
## PREPARATIONS



## LENS / LENS PORT INSTALLATION



## LENS / LENS PORT REMOVAL





## SPECIFICATIONS

<b>MODEL</b>	<b>AOI FLP-09</b>	
<b>DESCRIPTION</b>	<b>Flat Port for PEN Mount Housing (For ED 90mm Macro PRO Lens)</b>	
<b>RECOMMENDED FOR CAMERA LENS</b>	<b>OM SYSTEM M.ZUIKO DIGITAL ED 90mm F3.5 Macro IS PRO</b>	
<b>MATERIAL</b>	<b>LENS BARREL</b>	<b>PC + GF</b>
	<b>WINDOW</b>	<b>Optical Grade Flat Glass with Two Sides WR Coating and Multi-layers AR Coating</b>
<b>FRONT MOUNT</b>	<b>M67 Thread Mount</b>	
<b>LENS FUNCTIONS BY THE PORT'S BUILT-IN KNOBS/BUTTON</b>	a) <b>ZOOM KNOB</b>	<b>Direct Zooming Control by the Zoom Knob (no need to have the Zoom Gear)</b>
	b) <b>FOCUS LIMITER KNOB</b>	<b>Select Focus Limit Range: S-Macro, 0.25-0.5m, 0.25-∞</b>
	c) <b>L-Fn BUTTON</b>	<b>Activate the Pre-set Function</b>
<b>WATERPROOF</b>	<b>60 Meters</b>	
<b>DIMENSIONS</b>	<b>113mm (L) X 92mm(W) X 136mm (H)</b>	
<b>WEIGHT</b>	<b>327.6g (Without Front Cover and Rear Cap)</b>	
<b>ACCESSORIES</b>	<b>Lens Front Cap (LFC-02) and PP Rear Port Cap (PRC-01), Focus Clutch Blocking Ring (FCBR-01)</b>	

\*Specifications and Appearances are subject to change without prior notice.